

**ZACCARIA®**



*electrical diagrams*

VC 7014

JUMP LIST FOR MEMORIES SELECTION

BLOCK DIAGRAM

ASSEMBLY DRAWING

POWER WIRING

LAYOUT } CPU  
 DIAGRAM }

LAYOUT } INTERFACE  
 DIAGRAM }

LAYOUT } POWER  
 DIAGRAM }

LAYOUT } DRIVER DISPLAY  
 DIAGRAM }

LAYOUT } SOUND & SPEECH  
 DIAGRAM }

PLAYFIELD CONTACTS WIRING

COIL WIRING

PLAYFIELD & HEAD LAMPS WIRING

CABINET & FRONT DOOR WIRING

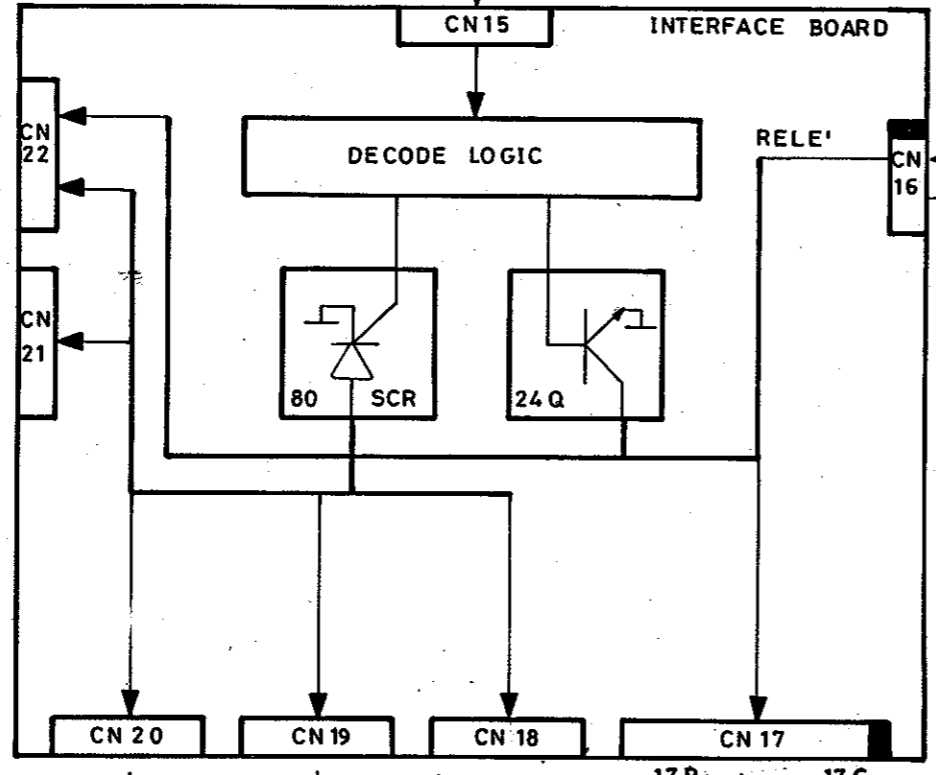
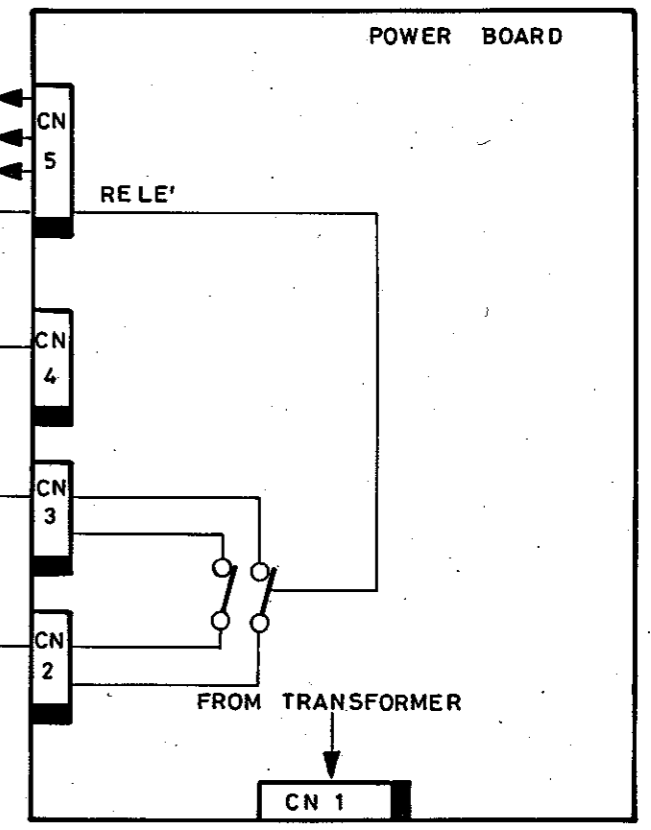
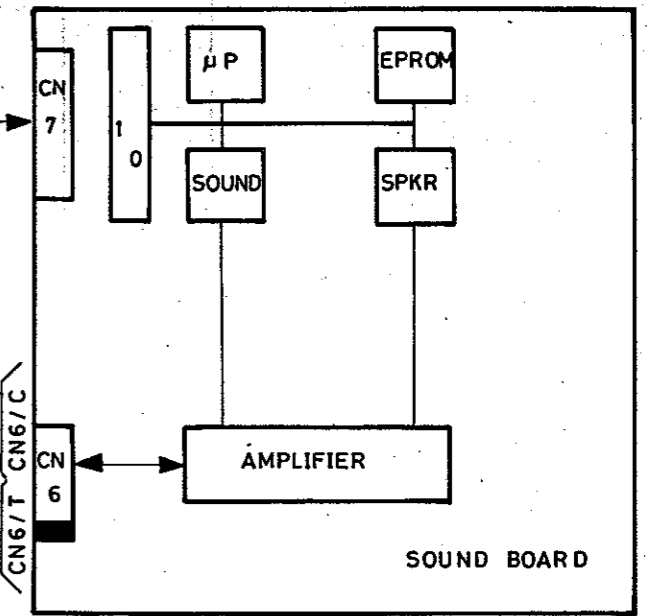
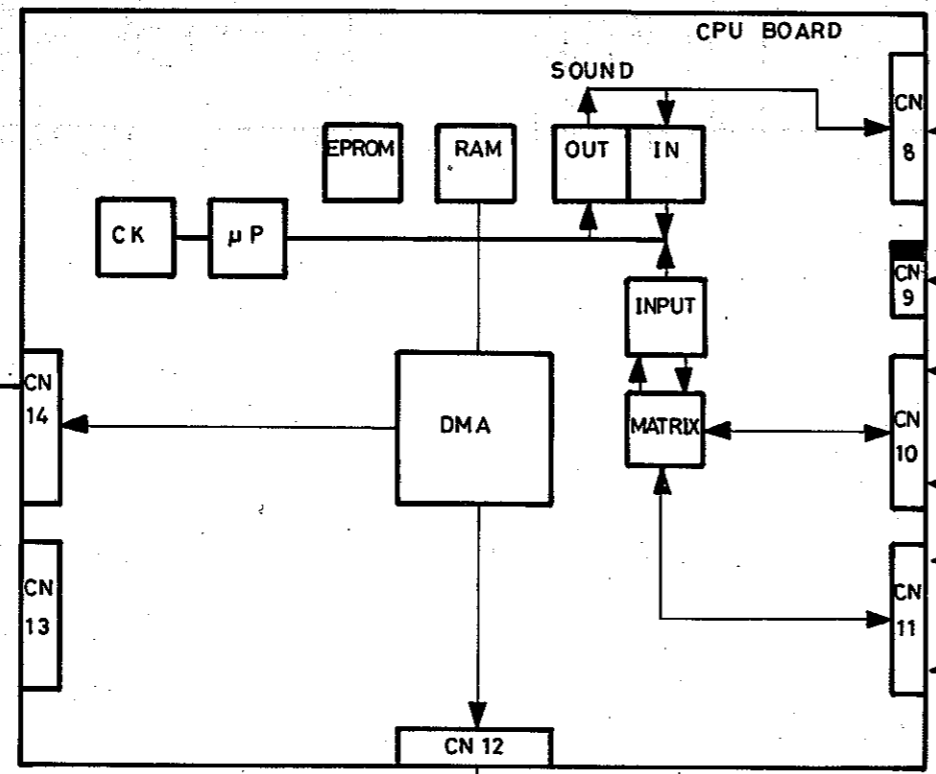
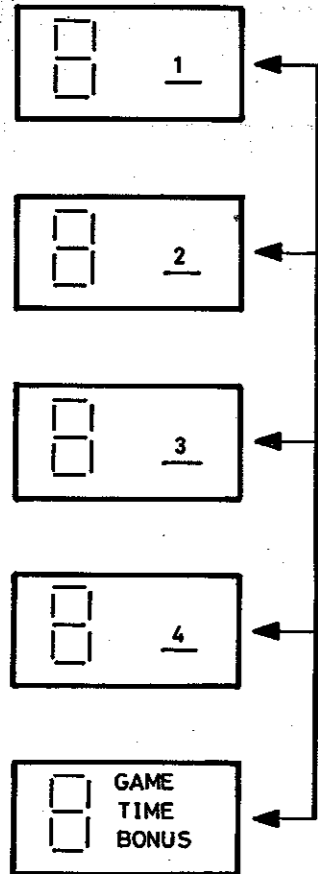
POWER SUPPLY

COLOR CODE

WIRES CUTAWAY  
 VIEW LIST

|                  |    |                            |    |
|------------------|----|----------------------------|----|
| Black .....      | 0  | mm <sup>2</sup> 0,22 ..... | /1 |
| Brown .....      | 1  | mm <sup>2</sup> 0,35 ..... | /2 |
| Red .....        | 2  | mm <sup>2</sup> 0,5 .....  | /3 |
| Orange .....     | 3  | mm <sup>2</sup> 0,9 .....  | /4 |
| Yellow .....     | 4  | mm <sup>2</sup> 1,5 .....  | /5 |
| Green .....      | 5  |                            |    |
| Blue .....       | 6  |                            |    |
| Violet .....     | 7  |                            |    |
| Grey .....       | 8  |                            |    |
| White .....      | 9  |                            |    |
| Pink .....       | 11 |                            |    |
| Light Blue ..... | 12 |                            |    |

DRIVER DISPLAY BOARDS



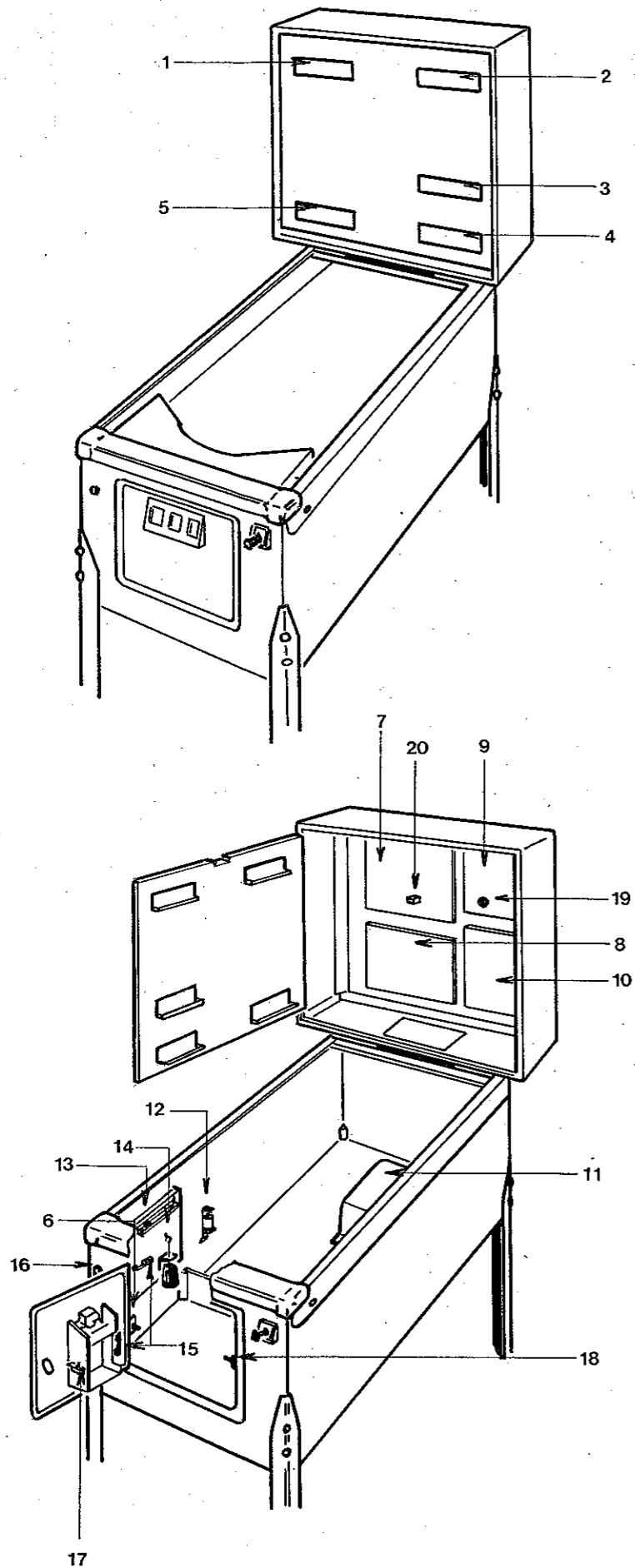
(HEAD SOLENOIDS)  
HEAD LAMPS

PLAYFIELD LAMPS

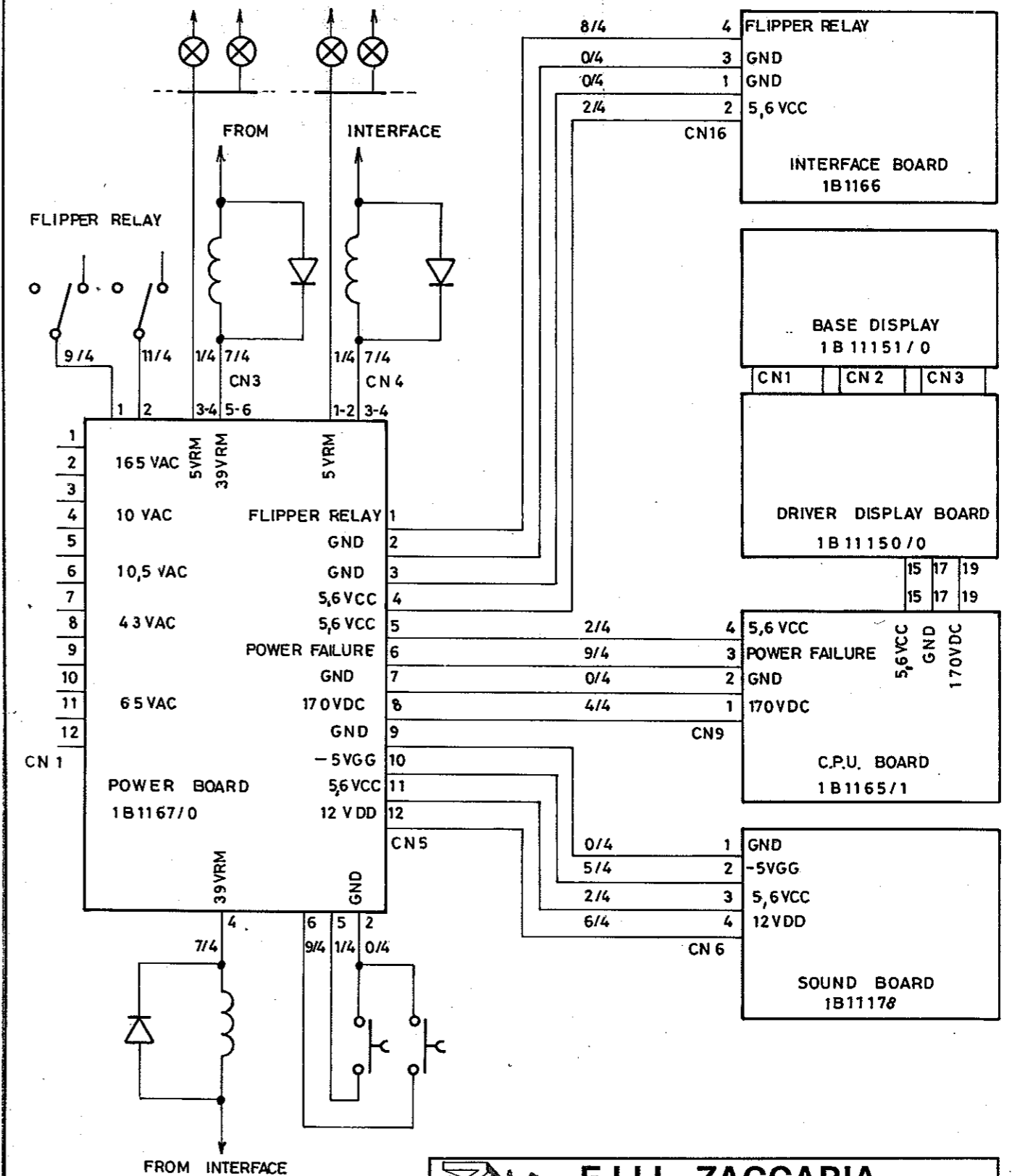
PLAYFIELD SOLENOIDS  
CABINET SOLENOIDS

|   |                                     |                          |                       |                              |
|---|-------------------------------------|--------------------------|-----------------------|------------------------------|
| <b>F.LLI ZACCARIA</b> s.n.c.<br>Via Armaroli, 15 - 40012 CALDERARA DI RENO (Bo) ITALY |                                     |                          |                       |                              |
| Codice  | Descrizione<br><b>BLOCK DIAGRAM</b> |                          |                       |                              |
| Codice Gruppo   | Dis.<br><i>LORENA</i>               | Data<br><b>13.6.1983</b> | Rev.<br><i>LORENA</i> | Data Rev.<br><b>15.07.85</b> |
| Materiale   | Trattamento                         |                          | Scala                 |                              |
| * note :  |                                     |                          |                       | Foglio                       |

ASSEMBLY DRAWING



- 1. 1st player display
- 2. 2nd player display
- 3. Credit display  
Display ball to play  
Match  
Game time bonus  
Highest score display
- 4. 4th player display
- 5. 3rd player display
- 6. Service button
- 7. C.P.U. board
- 8. Interface board
- 9. Sound board
- 10. Power board
- 11. Transformer
- 12. Knocker
- 13. Roll ball tilt
- 14. Bob tilt
- 15. Antichoc tilt
- 16. Credit button
- 17. Advance & return test
- 18. General vol.
- 19. Maximum sound vol.
- 20. Dip switch

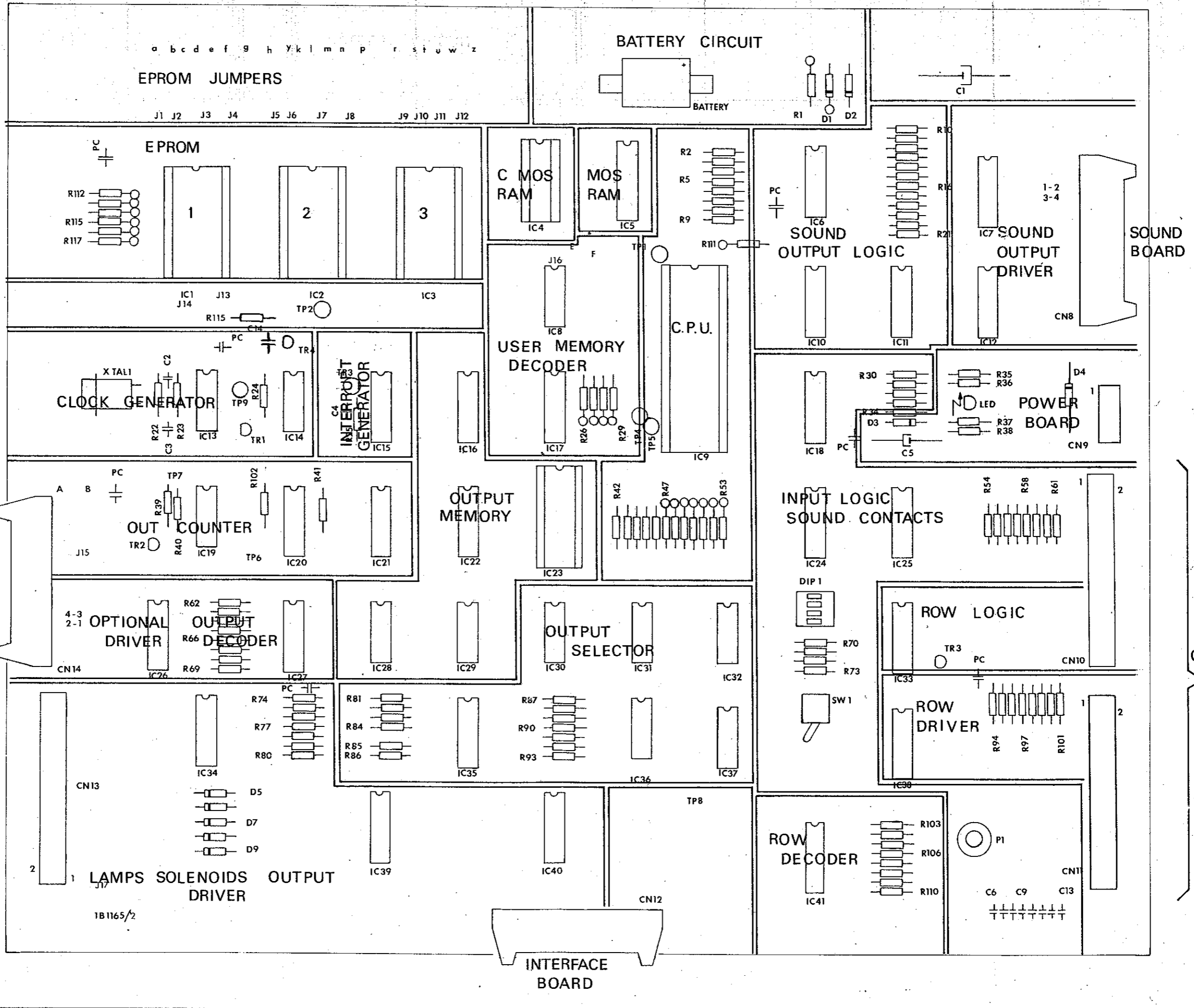


**F.LLI ZACCARIA s.n.c.**  
Via Armaroli, 15 - 40012 CALDERARA DI RENO (Bo) ITALY

|               |                          |          |        |
|---------------|--------------------------|----------|--------|
| Codice        | Descrizione              |          |        |
|               | ELECTRICAL DIAGRAM POWER |          |        |
| Codice Gruppo | Dis.                     | Data     | Rev.   |
|               | LOREME                   | 06.03.84 | LOREME |
| Data Rev.     | 09.01.85                 |          |        |
| Materiale     | Trattamento              |          | Scala  |
|               |                          |          |        |
| note          |                          |          | Foglio |
|               |                          |          |        |

# CPU. board

PC.1 B 1165/2

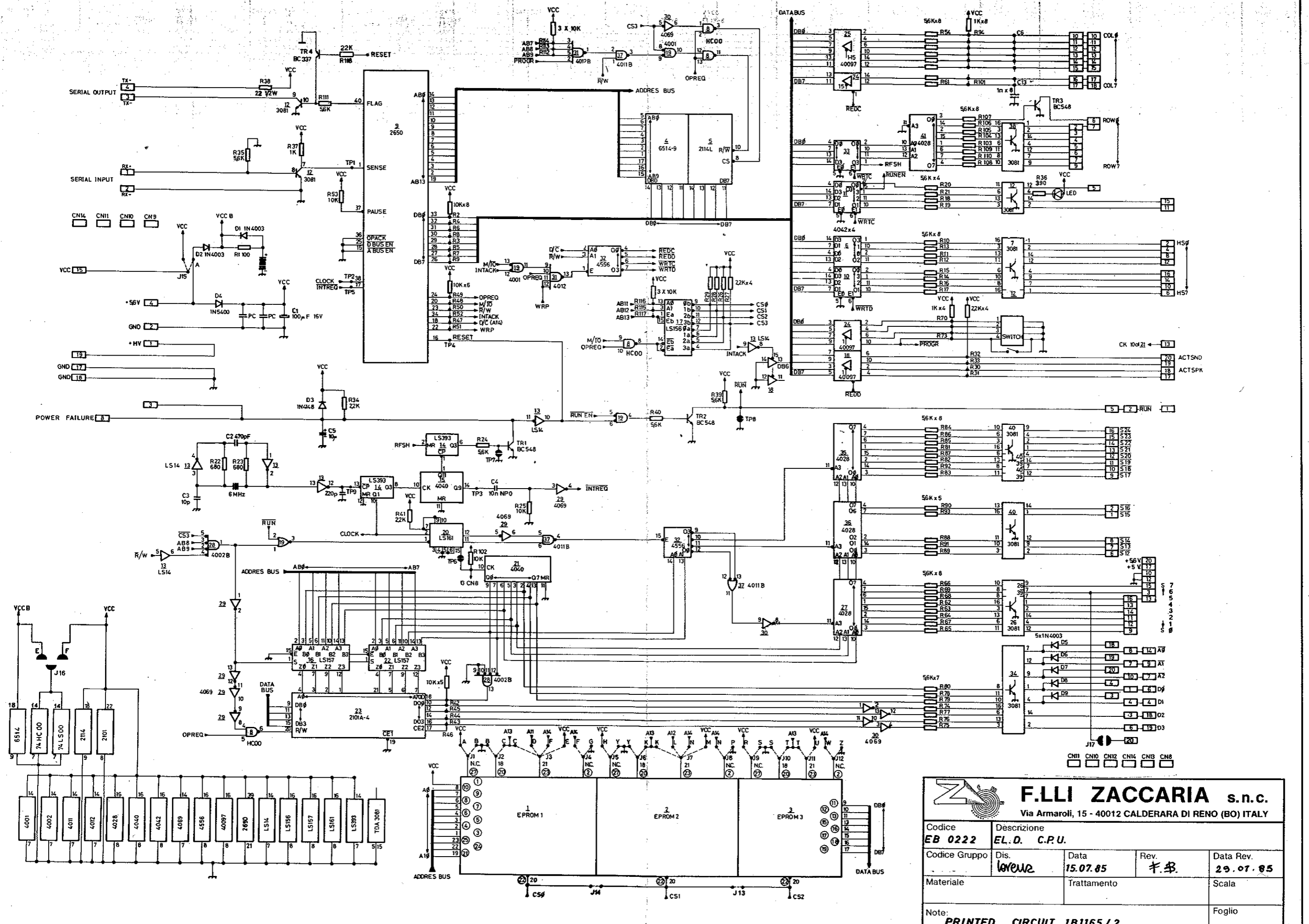



DISPLAY BOARD

CONTACTS

1B1165/2

INTERFACE BOARD



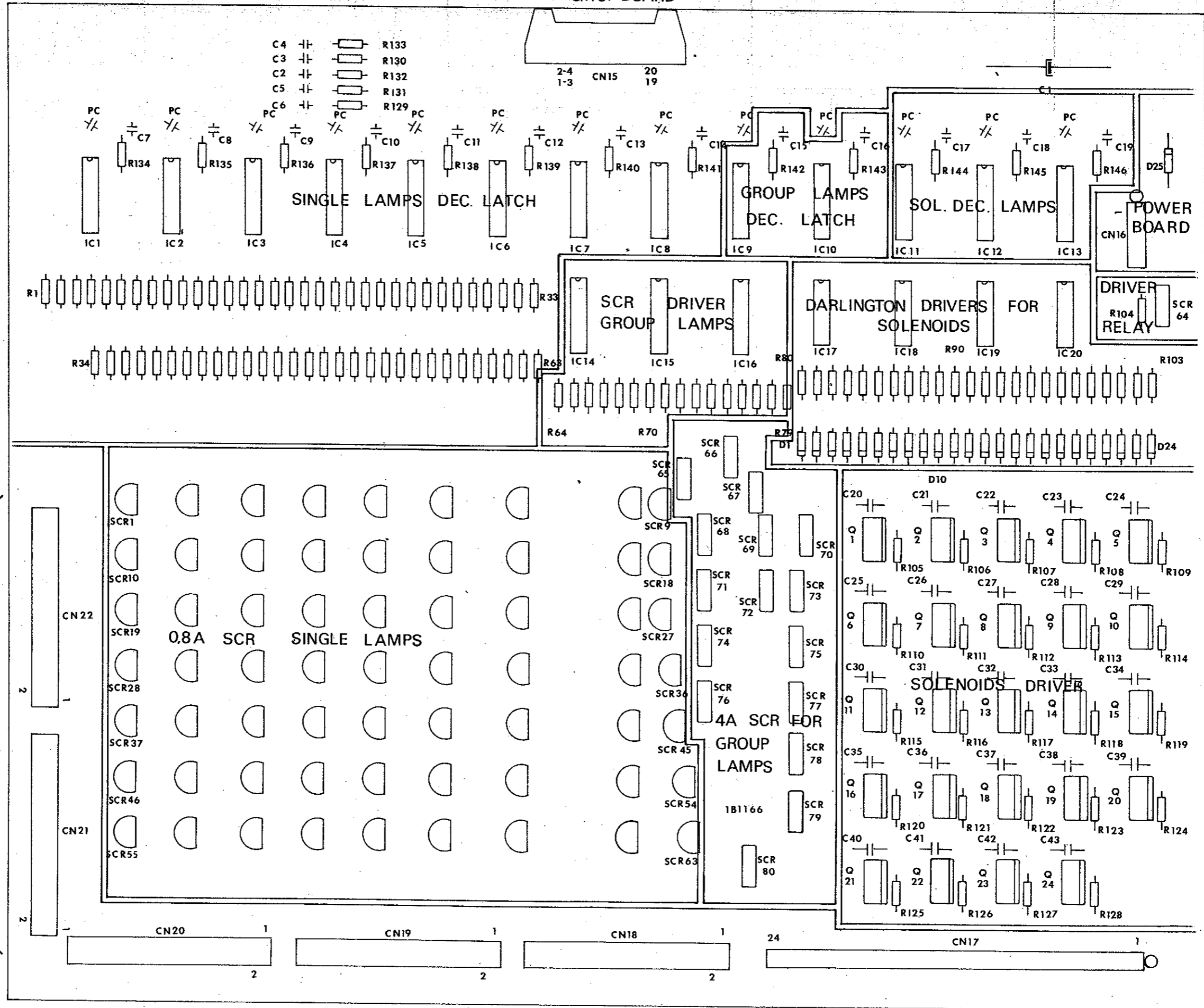

**F.LI ZACCARIA s.n.c.**  
 Via Armaroli, 15 - 40012 CALDERARA DI RENO (BO) ITALY

|               |                            |          |      |           |
|---------------|----------------------------|----------|------|-----------|
| Codice        | Descrizione                |          |      |           |
| EB 0222       | EL.D. C.P.U.               |          |      |           |
| Codice Gruppo | Dis.                       | Data     | Rev. | Data Rev. |
|               | LOWE                       | 15.07.85 | 非非   | 29.07.85  |
| Materiale     | Trattamento                |          |      | Scala     |
| Note:         | PRINTED CIRCUIT 1B1165 / 2 |          |      | Foglio    |

# INTERFACE board

P.C. 1B1166

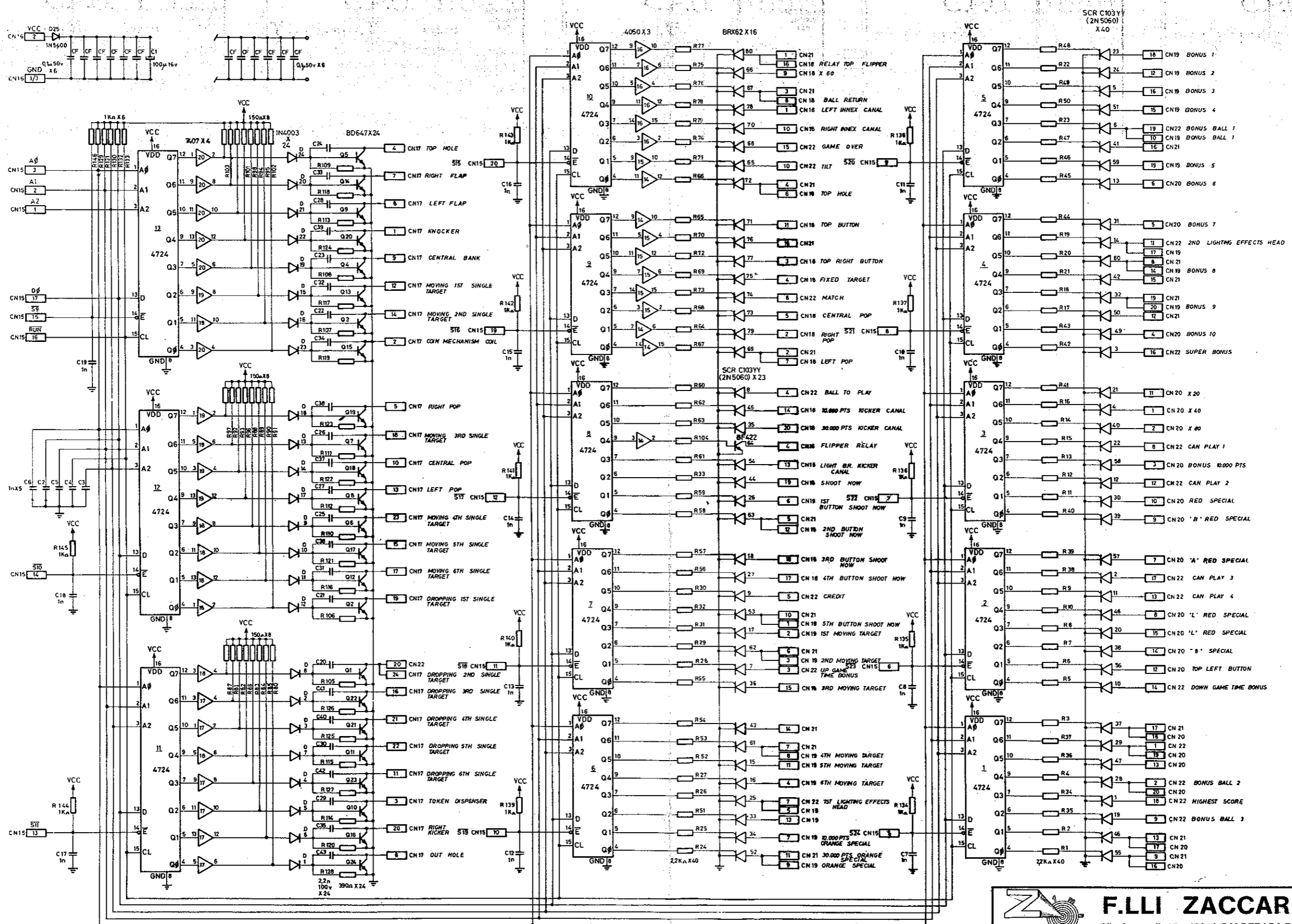
C.P.U. BOARD



HEAD

PLAYFIELD

CABINET



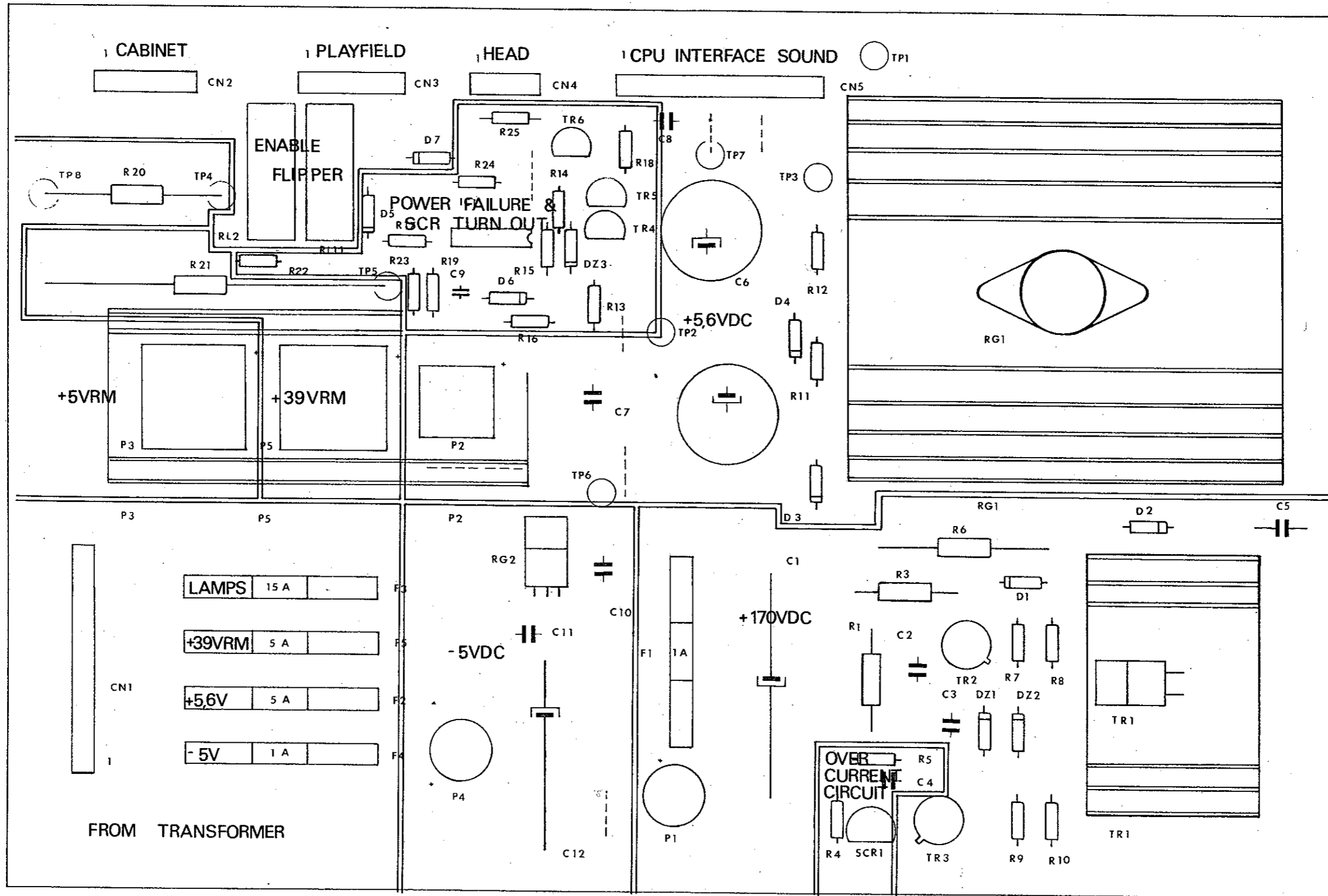
**F.LLI ZACCARIA s.n.c.**  
Via Armaroli, 15 - 40012 CALDERARA DI RENO (BO) ITALY

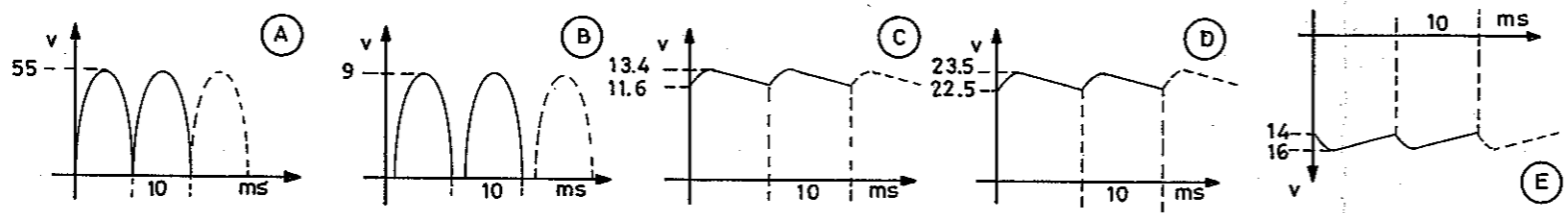
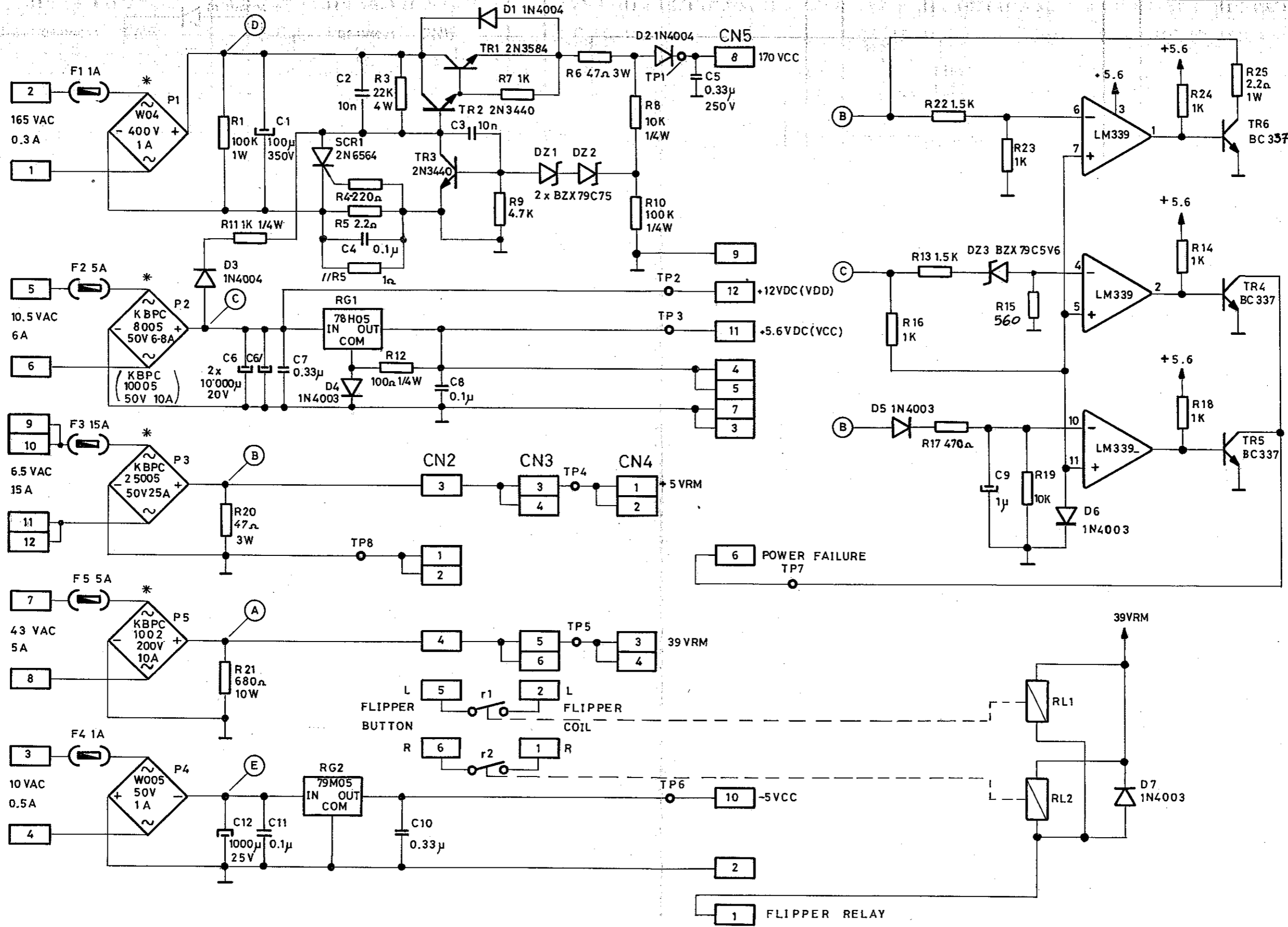
|                                 |  |                         |                       |                              |
|---------------------------------|--|-------------------------|-----------------------|------------------------------|
| Codice<br><b>1B 11 66</b>       | Descrizione<br><b>ELECTRICAL DIAGRAM INTERFACE "POOL CHAMPION"</b> |                         |                       |                              |
| Codice Gruppo<br><b>EC 0181</b> | Dis.<br><i>lorenz</i>  | Data<br><b>09.01.85</b> | Rev.<br><i>lorenz</i> | Data Rev.<br><b>11.07.85</b> |
| Materiale                       | Trattamento  |                         | Scala                 |                              |
| Note:                           |  |                         |                       | Foglio                       |



# POWER board

P.C. 1B1167/0





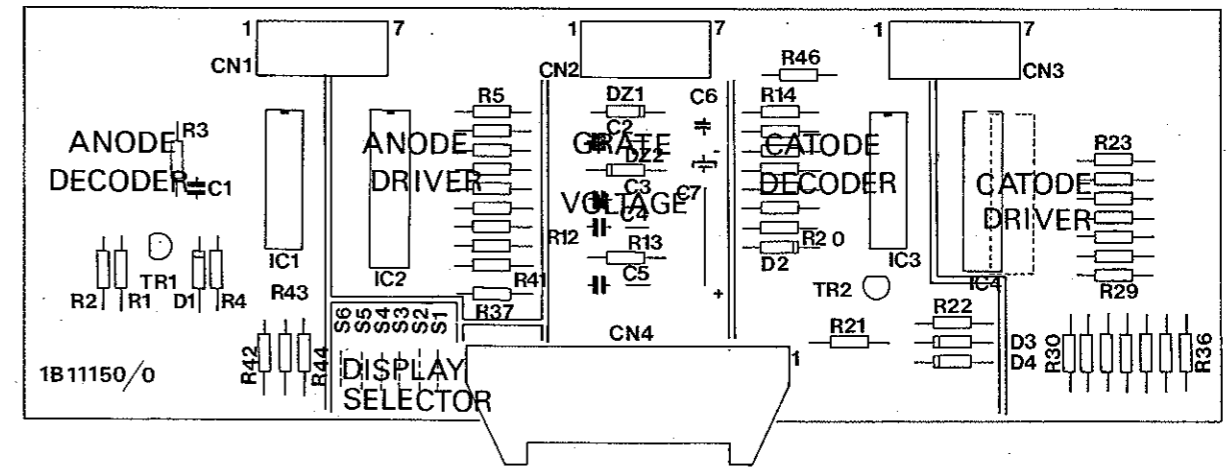
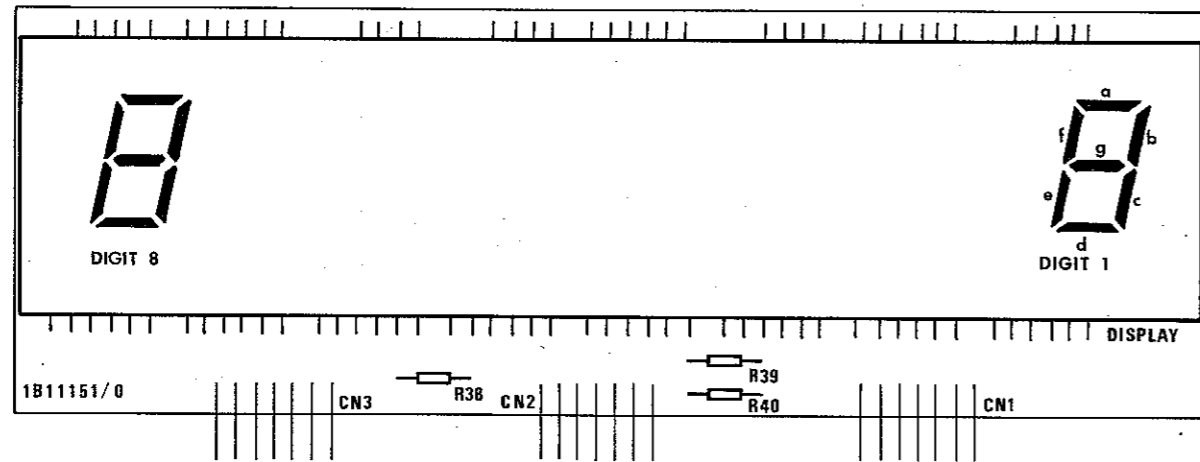
\* WITH HEAT SINK

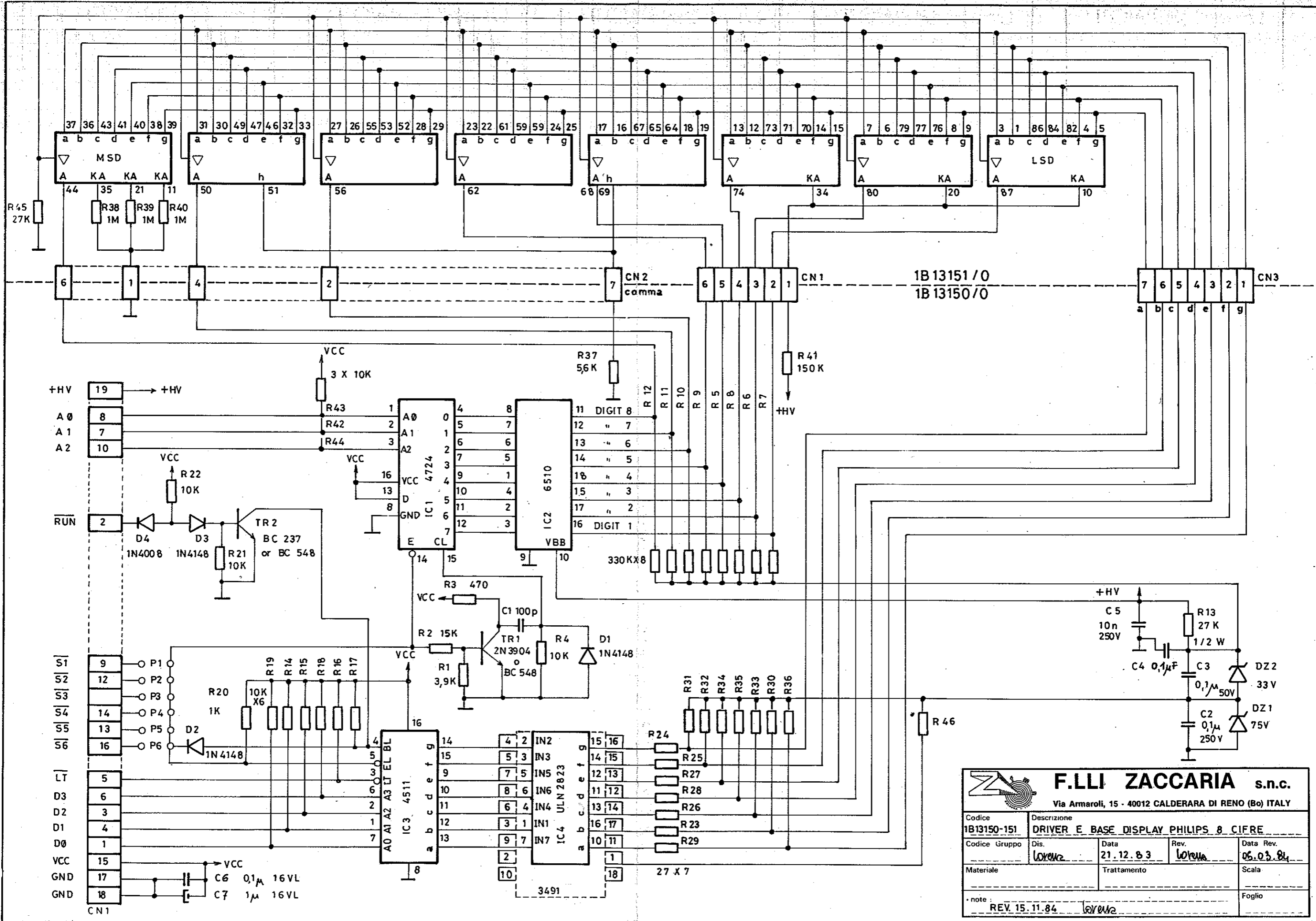
**F.LI ZACCARIA s.n.c.**  
 Via Armaroli, 15 - 40012 CALDERARA DI RENO (Bo) Italy

|  |              |                   |                   |
|--|--------------|-------------------|-------------------|
| PART NAME Electrical diagram for POWER BOARD |              | PART NO. 151367/0 |                   |
| DWN  | DATE 26/7/82 | REV. 10/8/82      | DATE REV. 5.04.84 |
| NOTES: UNLESS OTHERWISE SPECIFIED            |              | SHEET             |                   |
| 1) ALL RESISTORS VALUES IN                   |              |                   |                   |
| 2) ALL CAPACITORS VALUES IN                  |              |                   |                   |

# BASE & DRIVER DISPLAY board

PC. 1B11150/0 - 1B11151/0





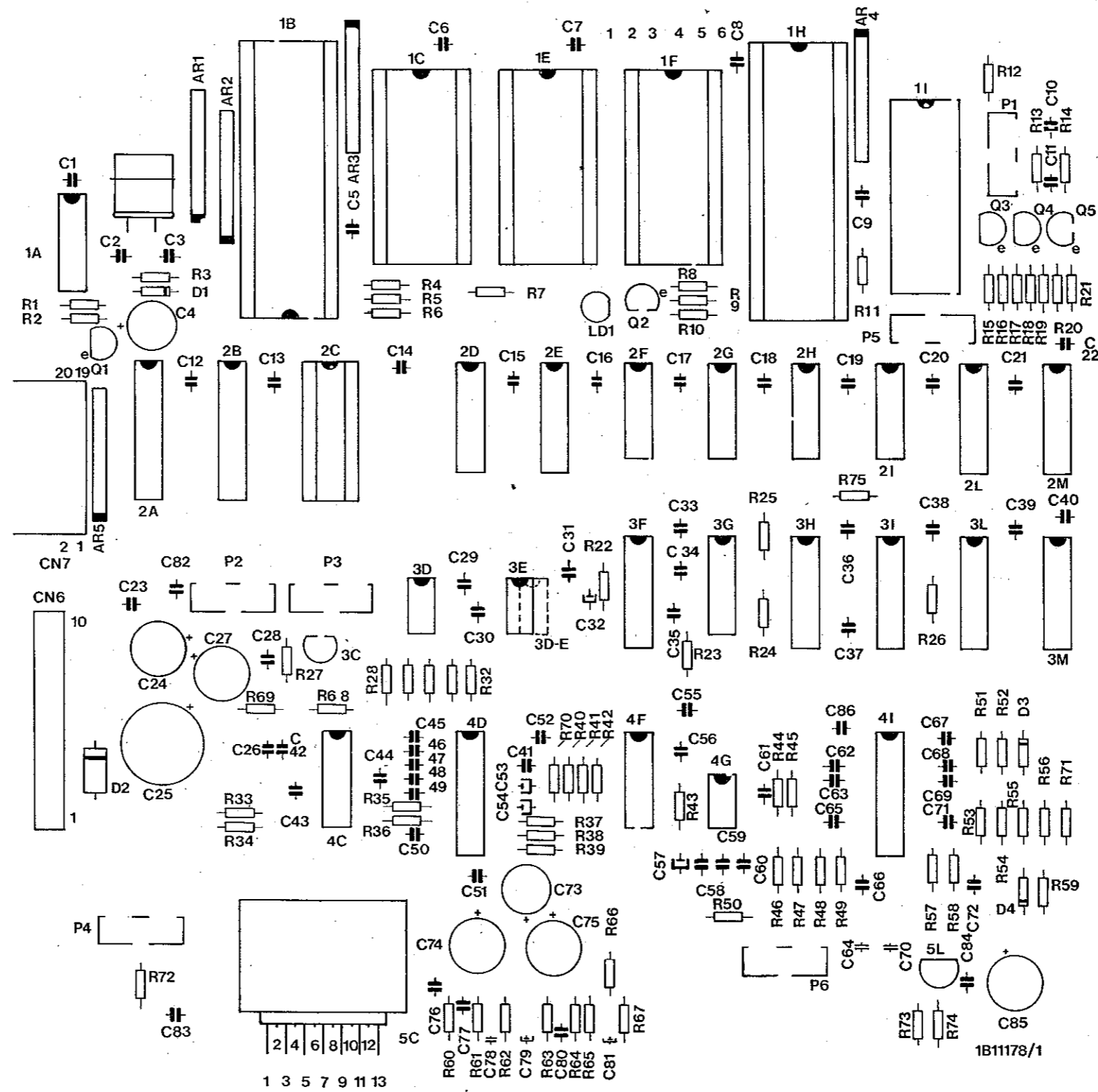
**F.LLI ZACCARIA s.n.c.**  
Via Ammaroli, 15 - 40012 CALDERARA DI RENO (Bo) ITALY

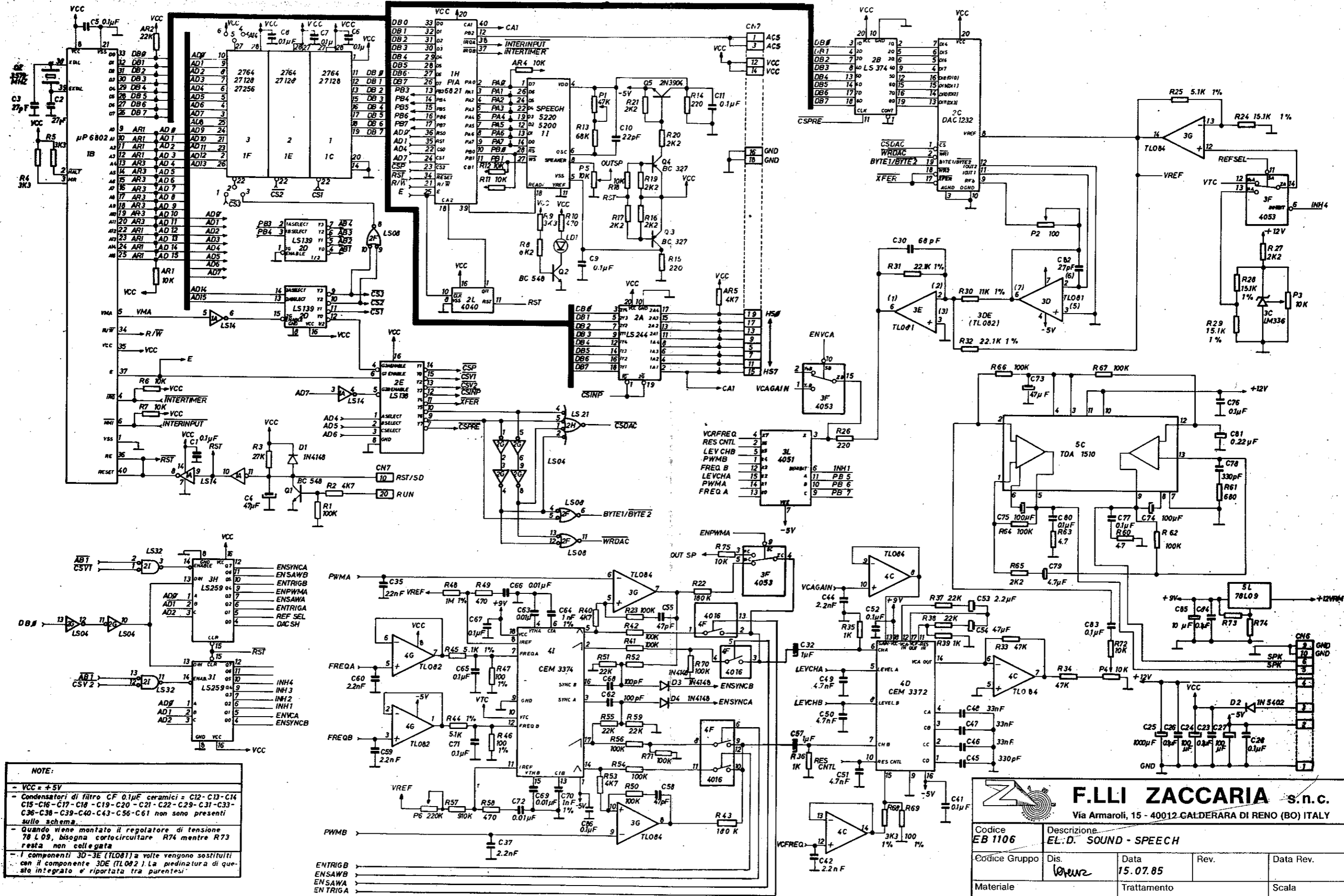
|               |                                       |           |        |
|---------------|---------------------------------------|-----------|--------|
| Codice        | Descrizione                           |           |        |
| 1B13150-151   | DRIVER E BASE DISPLAY PHILIPS 8 CIFRE |           |        |
| Codice Gruppo | Dis.                                  | Data      | Rev.   |
|               | LORENA                                | 21.12.83  | LORENA |
| Materiale     | Trattamento                           | Data Rev. |        |
|               |                                       | 05.03.84  |        |
| Foglio        |                                       |           |        |

• note: REV. 15.11.84 LORENA

# SOUND & SPEECH board

P.C.1B11178/1



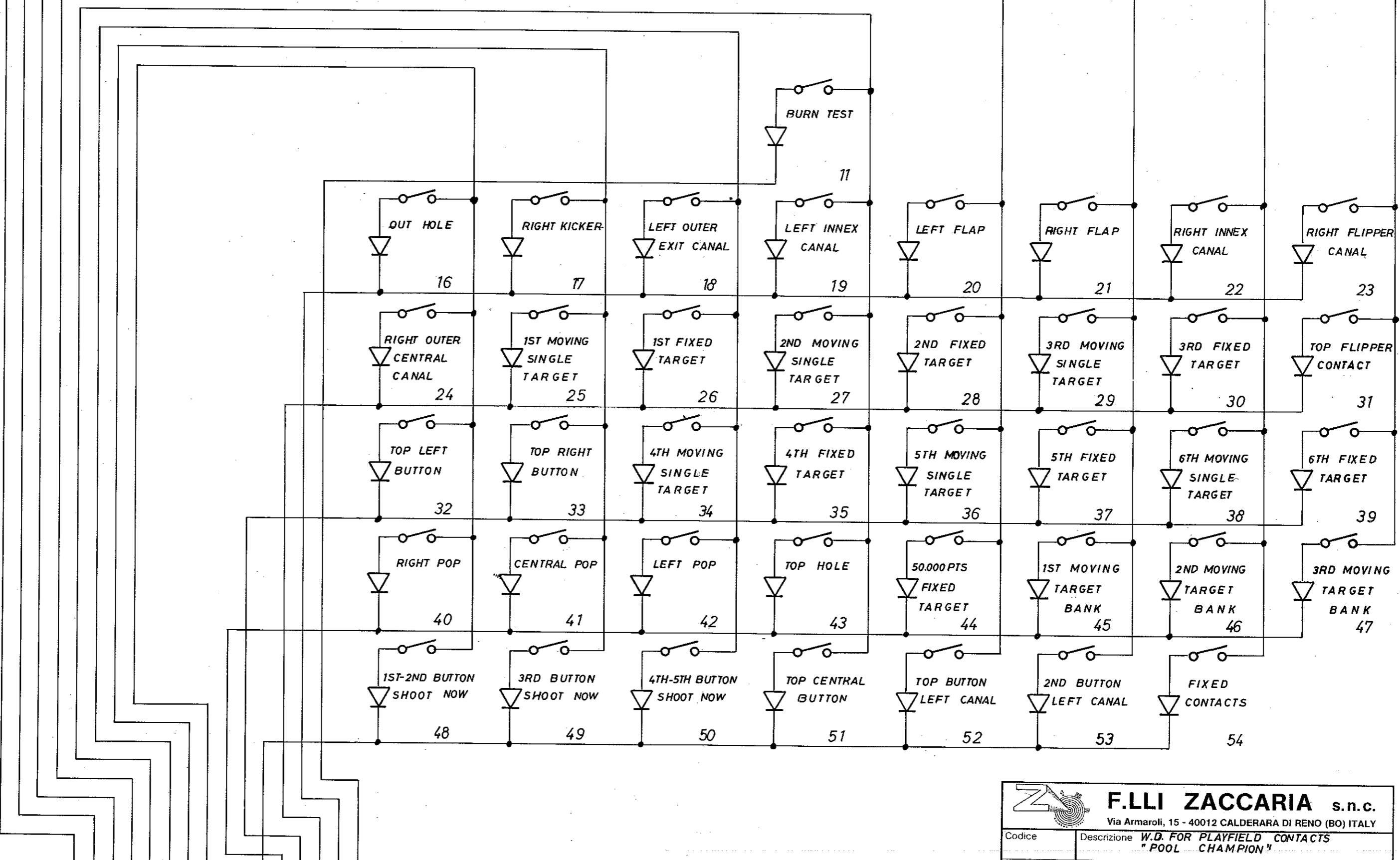


**NOTE:**


- VCC = +5V
- Condensatori di filtro CF 0.1µF ceramici = C12-C13-C14 C15-C16-C17-C18-C19-C20-C21-C22-C29-C31-C33-C36-C38-C39-C40-C43-C56-C61 non sono presenti sullo schema.
- Quando viene montato il regolatore di tensione 78 L09, bisogna cortocircuitare R74 mentre R73 resta non collegata.
- I componenti 3D-3E (TL081) a volte vengono sostituiti con il componente 3DE (TL082). La pedinatura di questo integrato è riportata tra parentesi.

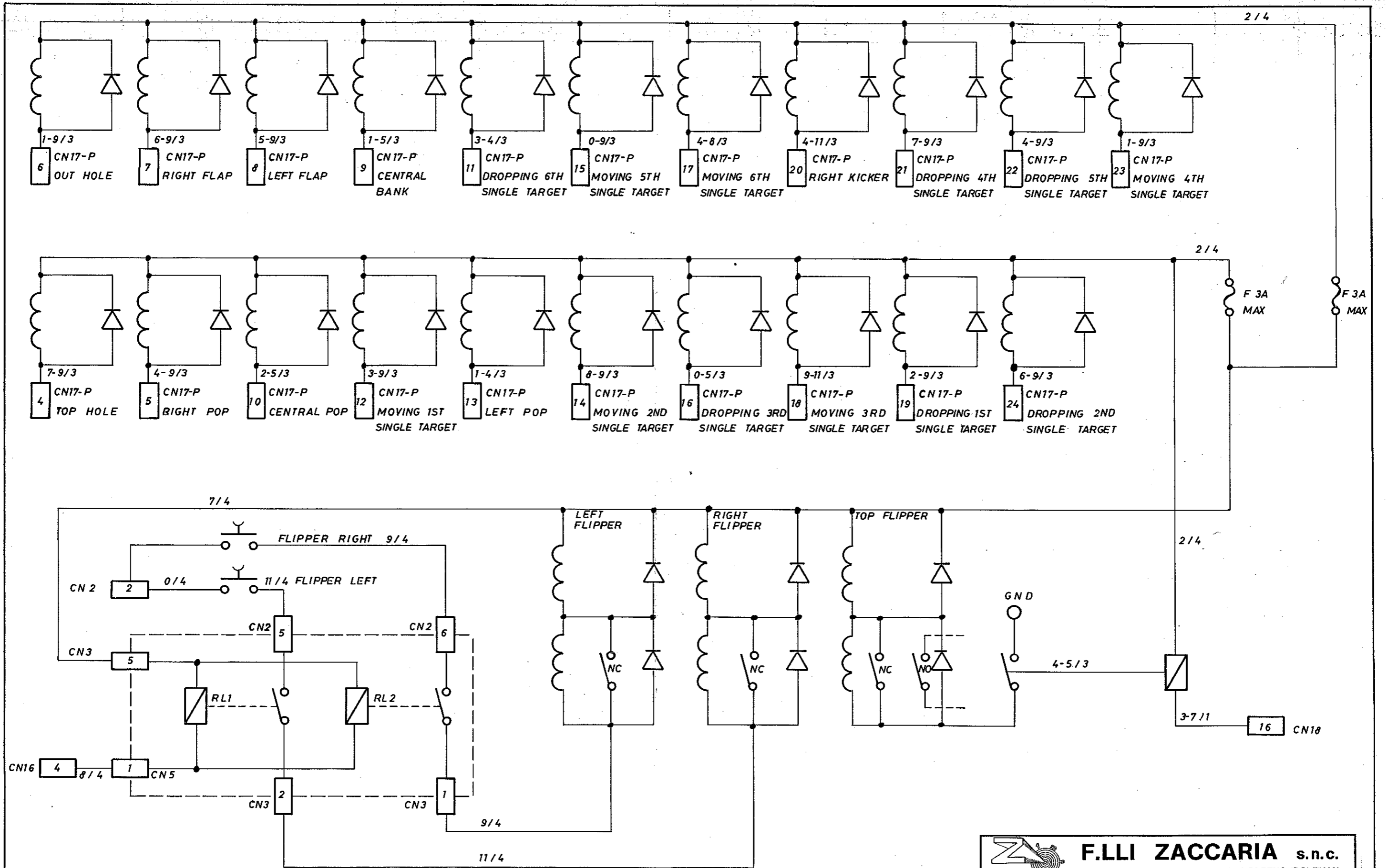
**F.LI ZACCARIA s.n.c.**  
Via Ammaroli, 15 - 40012 CALDERARA DI RENO (BO) ITALY


|   |  |                         |        |
|---|--|-------------------------|--------|
| Codice<br><b>EB 1106</b>                | Descrizione<br><b>EL.D. SOUND - SPEECH</b> |                         |        |
| Codice Gruppo                           | Dis.<br><i>10/ur</i>                       | Data<br><b>15.07.85</b> | Rev.   |
| Materiale                               | Trattamento                                |                         | Scala  |
| Note: <b>PRINTED CIRCUIT 1B 11178/0</b> |  |                         | Foglio |



20 19 18 17 16 15 14 13 12 11 10 9 8 7 6 5 4 3 2 1 CN 11

|   |  |                      |       |           |
|---|--|----------------------|-------|-----------|
|  <b>F.LLI ZACCARIA s.n.c.</b><br>Via Armaroli, 15 - 40012 CALDERARA DI RENO (BO) ITALY |  |                      |       |           |
| Codice  | Descrizione <b>W.D. FOR PLAYFIELD CONTACTS "POOL CHAMPION"</b> |                      |       |           |
| Codice Gruppo   | Dis. <i>lorenz</i>   | Data <b>10.07.85</b> | Rev.  | Data Rev. |
| Materiale   | Trattamento  |                      | Scala |           |
| Note:   | <b>ALL DIODES ARE IN 4148</b>                                  |                      |       | Foglio    |

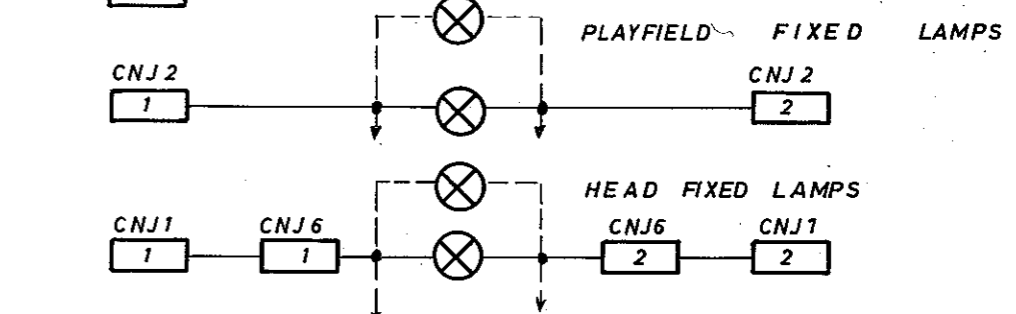
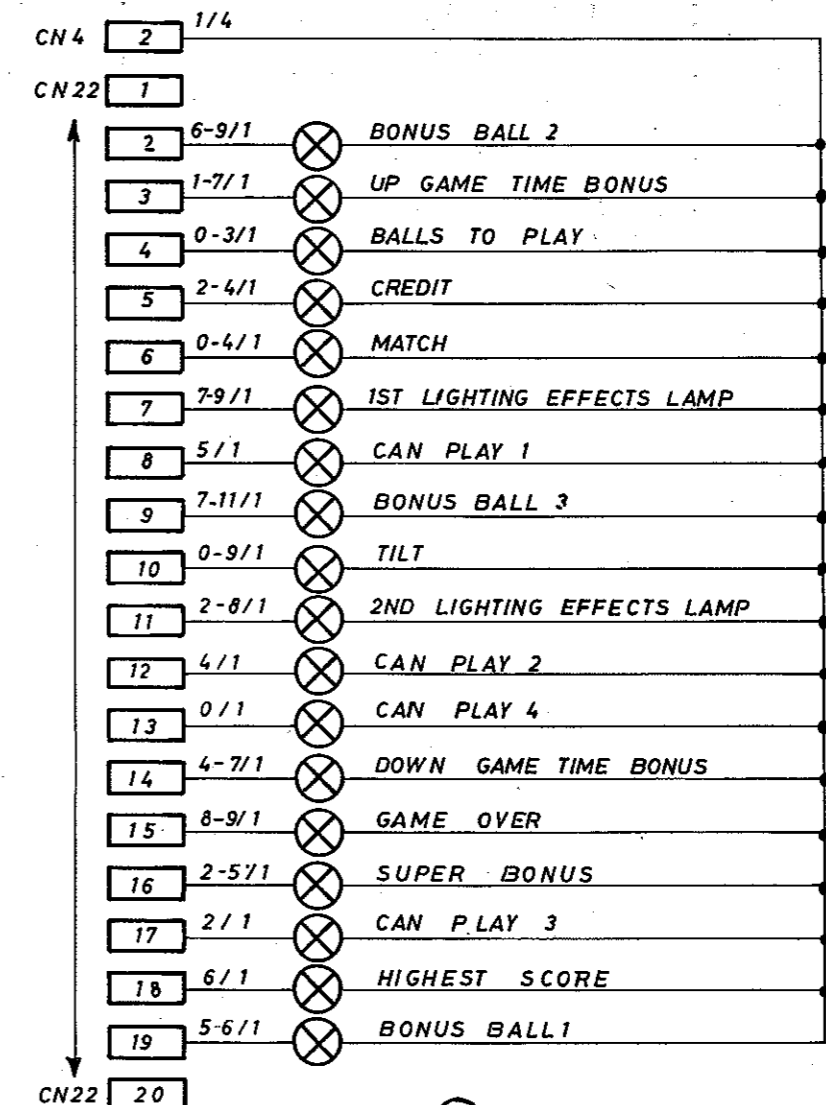
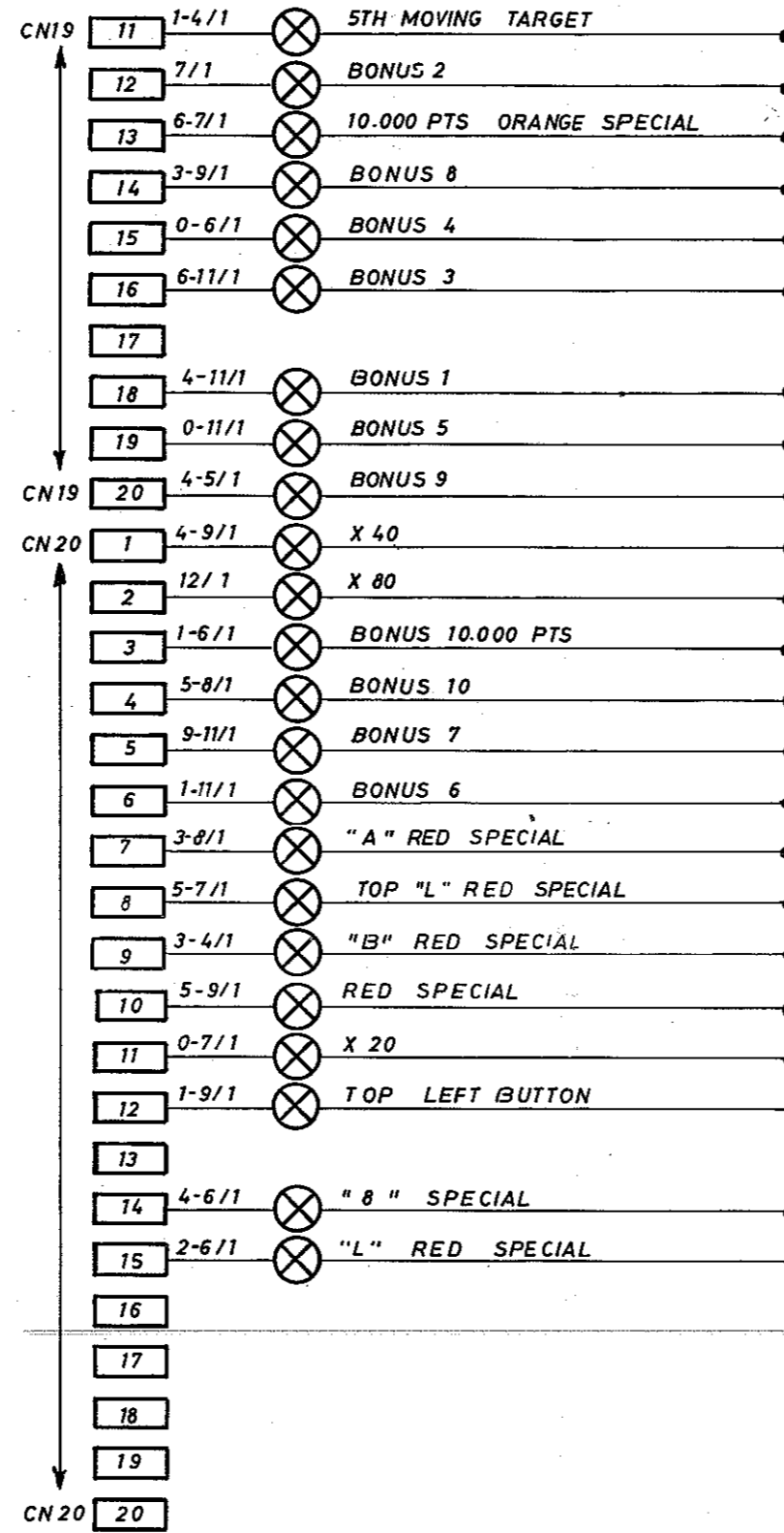
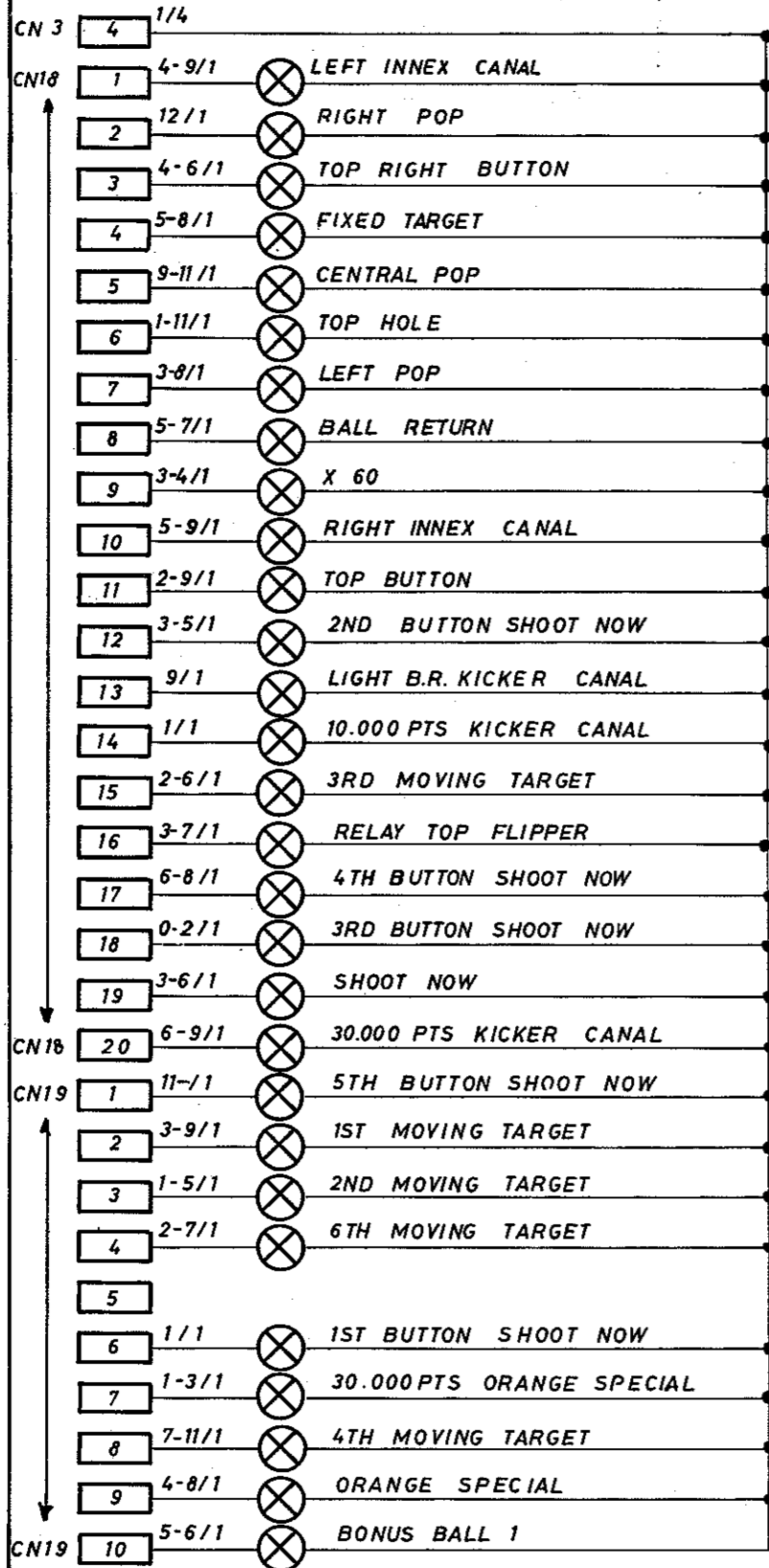


|   |  |   |                       |                         |
|---|--|---|-----------------------|-------------------------|
|  <b>F.LLI ZACCARIA s.n.c.</b><br>Via Armaroli, 15 - 40012 CALDERARA DI RENO (BO) ITALY |  | Codice      Descrizione<br><b>COIL WIRING "POOL CHAMPION"</b> |                       |                         |
|   |  | Codice Gruppo<br><i>loveup</i>                                | Dis.<br><i>loveup</i> | Data<br><b>11.07.85</b> |
| Materiale   |  | Trattamento   |                       | Scala                   |
| Note:<br><b>ALL DIODES ARE IN 4004</b>  |  |   |                       | Foglio                  |



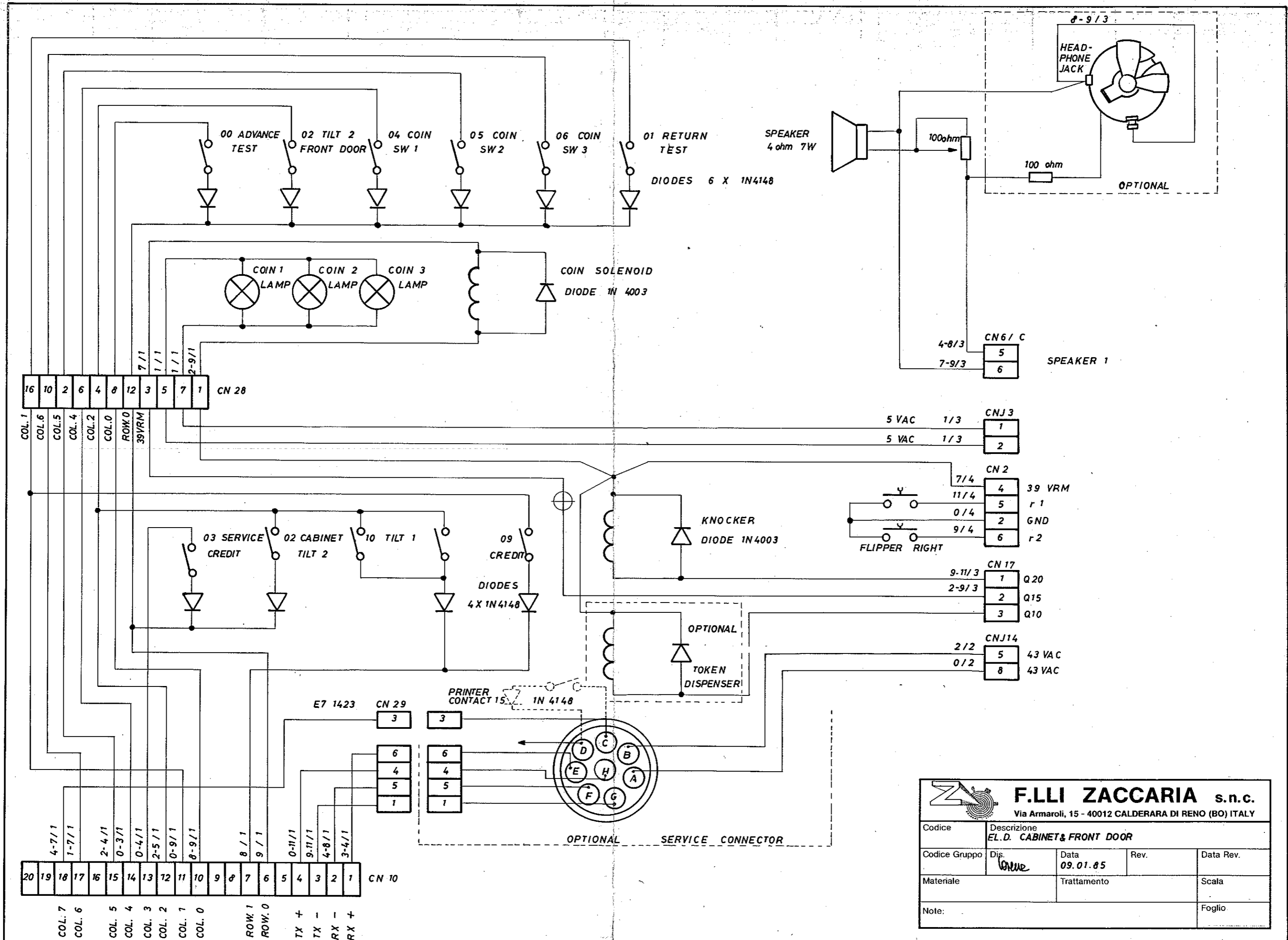
PLAYFIELD LAMPS

HEAD LAMPS



**F.LLI ZACCÀRIA s.n.c.**  
Via Armaroli, 15 - 40012 CALDERARA DI RENO (BO) ITALY

|               |  |          |      |           |
|---------------|--|----------|------|-----------|
| Codice        | Descrizione                              |          |      |           |
|               | EL.D. PLAYFIELD-HEAD LAMPS POOL CHAMPION |          |      |           |
| Codice Gruppo | Dis.                                     | Data     | Rev. | Data Rev. |
|               | <i>Wozz</i>                              | 12.02.85 |      |           |
| Materiale     | Trattamento                              |          |      | Scala     |
| Note:         |  |          |      | Foglio    |



**F.LLI ZACCARIA s.n.c.**  
Via Armaroli, 15 - 40012 CALDERARA DI RENO (BO) ITALY

|               |  |                         |       |           |
|---------------|--|-------------------------|-------|-----------|
| Codice        | Descrizione<br><b>EL.D. CABINET &amp; FRONT DOOR</b> |                         |       |           |
| Codice Gruppo | Dis.<br><i>WAVE</i>                                  | Data<br><b>09.01.85</b> | Rev.  | Data Rev. |
| Materiale     | Trattamento  |                         | Scala |           |
| Note:         |  |                         |       | Foglio    |

# JUMP LIST FOR MEMORIES SELECTION

**C.P.U.** 1B1165  
1B1165/0  
1B1165/1

PINBALL CHAMP  
SOCCER KINGS  
TIME MACHINE

**SOUND** 1B11136

TIME MACHINE

**C.P.U.** 1B1165 / 1

FARFALLA  
DEVIL RIDERS

**SOUND** 1B11136 / 0

FARFALLA  
DEVIL RIDERS  
MAGIC CASTLE  
ROBOT

**C.P.U.** 1B1165 / 2

MAGIC CASTLE  
ROBOT  
CLOWN

**SOUND** 1B11178 / 0

CLOWN

**C.P.U.** 1B1165 / 2

POOL CHAMPION

**SOUND** 1B11178 / 1

POOL CHAMPION

Empty section for C.P.U. and game titles.

Empty section for SOUND and game titles.



**Original document provided by:**

**URL:** <http://www.tilt.it/>

**E-mail:** [wiz@tilt.it](mailto:wiz@tilt.it)  
[piero@tilt.it](mailto:piero@tilt.it)

**Scans done by:**

**URL:** <http://www.langaas.org/pinball/>

**E-mail:** [thomas@langaas.org](mailto:thomas@langaas.org)

